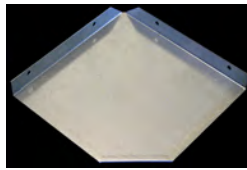


### Corner Feed Boards

Sides are 3/4" wide with holes punched for easy ringing. (Stainless steel models available in quantities of 100 or more - please call in advance.)



Y221

| Size                       | Stock No. | Price Each |        | Wt / 100 (lbs.) |
|----------------------------|-----------|------------|--------|-----------------|
|                            |           | 1-99       | 100 +  |                 |
| <b>Galvanized 24-gauge</b> |           |            |        |                 |
| 9 1/4" x 7 3/4"            | Y220      | \$2.60     | \$2.32 | 58              |
| 6 3/4" x 6 3/4"            | Y221      | \$2.20     | \$1.99 | 38              |
| 5 1/4" x 5 1/4"            | Y222      | \$1.70     | \$1.52 | 24              |
| <b>Aluminum 16-gauge</b>   |           |            |        |                 |
| 9 1/4" x 7 3/4"            | Y320      | \$3.10     | \$2.76 | 53              |
| 6 3/4" x 6 3/4"            | Y321      | \$2.60     | \$2.36 | 36              |
| 5 1/4" x 5 1/4"            | Y322      | \$2.20     | \$1.97 | 23              |

### Galvanized Kit Feeding Pans

15 1/2" X 7" X 1 1/4" 24-gauge feeding pan. One end has a 45° angle. (Ship. wt. 62 lbs. / 50 pans).



Stock No. YKT1.....\$3.95 ea.  
.....100 or more @ \$3.80 ea.

### Aluminum Roofing Nails



Y001

| Item               | Stock No. | Price Per Lb. |          |
|--------------------|-----------|---------------|----------|
|                    |           | 1 - 49 lbs    | 50 + lbs |
| 1 3/4" Twin Thread | Y001      | \$4.55        | \$3.95   |
| 2" Twin Thread     | Y003      | \$3.30        | \$3.15   |
| 2 1/2" Twin Thread | Y004      | \$2.80        | \$2.70   |

### Stainless Steel Quick-Lock® Crocks

- Fits all wire cages - installs in seconds
- Bowl is easily removed from lock tight bracket, by turning bowl clockwise and then lifting up
- Heavy duty for dependability



**NEW!**

| Size  | Stock No. | Price Each |        |        | Ship. wt / doz (lbs) |
|-------|-----------|------------|--------|--------|----------------------|
|       |           | 1-11       | 12-71  | 72+    |                      |
| 10 oz | K121      | \$4.70     | \$4.40 | \$4.12 | 6                    |
| 20 oz | K122      | \$5.80     | \$5.36 | \$5.23 | 9                    |
| 40 oz | K123      | \$7.50     | \$6.95 | \$6.83 | 12                   |

### Steel Catches

Weight: 6 lbs. per 100



YD1A

| Style                     | Len. | Stock No. | Price Each |         |        |
|---------------------------|------|-----------|------------|---------|--------|
|                           |      |           | 1-99       | 100-999 | 1000 + |
| 11 ga. Galv. Spring Steel | 5"   | YD1A      | \$0.47     | \$0.40  | \$0.36 |
| Stainless Steel           | 5"   | YD10      | \$0.71     | \$0.63  | \$0.57 |

### U-Shaped Pen Fastener

For top-opening door with cage door edge. Precision made of 11 ga. galv., spring steel wire. Made in U-shape to give more tension and can be hooked in 14-ga. wire and hog ringed for excellent spring action. (Wt. 7 lbs / 100)



Stock No. Y005.....  
\$0.53 ea. ....100-999 @ \$0.46 ea. ....1000+ @ \$0.41 ea.

### Galvanized Cage Door Edges

Reinforces the front edge for doors located on the top.

| Stock No. | Width | Price Each |         |        | Wt. per 100 (lbs.) |
|-----------|-------|------------|---------|--------|--------------------|
|           |       | 1-99       | 100-499 | 500 +  |                    |
| YF80      | 8"    | \$0.91     | \$0.75  | \$0.72 | 25                 |
| YF12      | 12"   | \$1.08     | \$0.89  | \$0.86 | 34                 |
| YF15      | 15"   | \$1.26     | \$1.04  | \$1.00 | 42                 |
| YF18      | 18"   | \$1.43     | \$1.18  | \$1.14 | 50                 |



### Aluminum Hole Liners

Easily Installed. (Shipping Wt. 4 lbs. / 100)



YE20

| Stock No. | Size   | Price Each |         |        |
|-----------|--------|------------|---------|--------|
|           |        | 1-99       | 100-999 | 1000 + |
| YE10      | 4"     | \$0.72     | \$0.66  | \$0.61 |
| YE20      | 4 1/2" | \$0.72     | \$0.66  | \$0.61 |
| YE30      | 5"     | \$0.81     | \$0.73  | \$0.68 |

### 18-ga. Stainless Cover Latch



| Size          | Stock No. | Price Each |         |        | Wt. / 100 |
|---------------|-----------|------------|---------|--------|-----------|
|               |           | 1-99       | 100-499 | 500 +  |           |
| 3/4" X 5 1/4" | YD20      | \$0.81     | \$0.73  | \$0.68 | 5 lbs     |

### Extra-Heavy Nest Box / Cage Hanger



Can be used to hang cages in sheds or as an extra-strong nest box hanger. 5/8" wide. Made of 14 ga. galvanized steel. Shipping Wt. 4 1/4 lbs / 100.



Stock No. YD16.....\$0.37 ea.  
.....100-499 @ \$0.33 ea.  
..... 500 + @ \$0.28 ea.

## General Cage and Hutch Accessories

### Card Holders

| Style  | Size            | Fits Card Style     | Stock No. | Price Each |         |        | Ship. wt. / 100 |
|--|-----------------|---------------------|-----------|------------|---------|--------|-----------------|
|  |                 |                     |           | 1-99       | 100-299 | 300+   |                 |
|  <p>Z036<br/>With Punched Holes For Ringing With 1/2" Rings</p> | 2" X 4"         | Calling Card        | Z035      | \$0.29     | \$0.25  | \$0.24 | 8               |
|  | 2 9/16" X 5"    | Carrying Case Card  | Z036      | \$0.36     | \$0.30  | \$0.29 | 11              |
|  | 5" X 3"         | Index Card (Vert.)  | Z037      | \$0.41     | \$0.35  | \$0.33 | 12              |
|  | 3" X 5"         | Index Card (Horiz.) | Z039      | \$0.39     | \$0.33  | \$0.32 | 12              |
|  | 3 3/4" X 7 1/2" | Doe Record Card     | Z038      | \$0.56     | \$0.48  | \$0.46 | 20              |
|  <p>Z174<br/>With Tabs For Easy Fastening</p>                   | 2" X 4"         | Calling Card        | Z170      | \$0.34     | \$0.29  | \$0.28 | 10              |
|  | 2 9/16" X 5"    | Carrying Case Card  | Z171      | \$0.41     | \$0.35  | \$0.33 | 13              |
|  | 5" X 3"         | Index Card (Vert.)  | Z172      | \$0.47     | \$0.40  | \$0.39 | 15              |
|  | 3" X 5"         | Index Card (Horiz.) | Z174      | \$0.46     | \$0.39  | \$0.37 | 15              |
|  | 3 3/4" X 7 1/2" | Doe Record Card     | Z173      | \$0.59     | \$0.50  | \$0.48 | 24              |

### Numbered Pen Markers & Card Holders



Pen Marker



Card Holder

Made of embossed galvanized metal. No numbers to paint. Very easy to read. Numbers in stock run from 1 to 1,000 in series of 100. No series will be broken. Be sure to indicated the numbers desired, 1-100, 101-200, etc.. Higher number series are available.

**Pen Markers.** Size 1 1/4" X 3 1/4". (Shipping Wt. 3 lbs. / 100)

Stock No. Q .....\$24.70 per 100

**Numbered Card Holders.** 7" long. Holds 3" X 5" card. (Shipping Wt. 14 lbs. / 100)

Stock No. U .....\$47.80 per 100

### E-Z Brand Plastic Urine Guards

These highly versatile plastic panels are 4" high by 12" long, with molded tabs for secure attachment. Each easily can be split into two, 6" panels by breaking it along the fabricated indentation. This allows for the creation of custom linear lengths of any multiple of 6". Shipping weight 1 3/4 lbs / doz.



Z100

Stock No. Z100 .....\$1.40 ea.  
.....50-99 @ \$1.30 ea ..... 100+ @ \$1.10 ea.

For metal urine guards, see Page 18

### E-Z<sup>®</sup> Plastic Card Holders

Light Gray Color  
Two Models Available  
Shipping wt. 4 lbs / 100



Z265

**Model shown above, with snap-on tabs for attachment**

2 3/4" H x 3 3/4" L

Stock No. Z265 .....\$0.45 ea.  
.....100-299 @ \$0.40ea.....300+ @ \$0.37 ea.

**Model attached with 1/2" cage ring (sold separately)**

3" H x 5" L

Stock No. Z266 .....\$0.59 ea.  
.....100-299 @ \$0.53 ea .....300+ @ \$0.51 ea.

### Slotted Plastic E-Z Floor Mats

Reduces stress on foot pads!  
Slotted design keeps the mat clean. Molded tabs hook into floor wire to secure the panel. Size 10" X 14 1/2". Available in 3 colors. Shipping wt. 5 lbs / doz. (Note: 14 1/2" length makes it unusable with 1" x 1" floors.



| Color      | Stock No. | Price Each |        |        |
|------------|-----------|------------|--------|--------|
|            |           | 1-11       | 12-99  | 100+   |
| Light Blue | Z36B      | \$2.70     | \$2.40 | \$1.99 |
| Light Gray | Z37G      | \$2.70     | \$2.40 | \$1.99 |
| Purple     | Z41P      | \$2.70     | \$2.40 | \$1.99 |

# DOOR ACCESSORIES

## Spring-loaded Metal Door Lock

Takes just 2 fingers to open! (Ship. wt. 9 lbs / 100)  
**Stock No. ZC81....\$2.20 ea.**  
 .....100-499 @ \$1.98 ea.



## Swivel-type Springless Door Lock

Designed for doors that swing in  
 (Shipping wt. 8 lbs / 100)  
**Stock No. ZJ12.....\$0.90 ea.**  
 .....100 or more @ \$0.76 ea.



## Wire Spring Door Locks

Easy installation for doors that swing out. Stock Nos.  
 ZKR1 & ZKSR are for doors hinged on their right edge.  
 ZKL1 & ZKSL fit left-hinged doors.



ZKR1

| Item                           | Hinge | Stock No. | Price Each |         |        | Wt. / 100 (lbs) |
|--------------------------------|-------|-----------|------------|---------|--------|-----------------|
|                                |       |           | 1-99       | 100-299 | 300+   |                 |
| Galvanized Spring Steel        | Left  | ZKL1      | \$0.43     | \$0.37  | \$0.31 | 3 ¼             |
|                                | Right | ZKR1      | \$0.43     | \$0.37  | \$0.31 | 3 ¼             |
| Stainless Steel (not polished) | Left  | ZKSL      | \$1.02     | \$0.89  | \$0.83 | 5               |
|                                | Right | ZKSR      | \$1.02     | \$0.89  | \$0.83 | 5               |

## Hutch Door Hanger

Attaches to top of hutch with swing-in door.  
 (Shipping weight 9 lbs / 100)

**Stock No. ZHDH.....\$0.44 ea.**  
 .....100 or more @ \$0.37 ea.



See Page 16 for Card Holders and Pen Markers

## Plastic Door Liners

Protect you and your animals from rough edges. Available in **Gray, Dark Blue, Rose Red, Purple, Royal Blue, and Black.** (Note: if purchasing 12 or fewer 5' door frames, consider purchasing twice as many of the 30" frames instead, and avoid a \$10.85 UPS charge for an extra-long package.)



**30" Door Liners.** (Shipping wt 2 lbs./doz.)  
**Stock No. Z4 (specify color; sorry, maximum of 48 strips per order).....\$0.80 ea.**  
 .....24-48 strips @ \$0.60 ea.

**5' Door Liners.** (Shipping wt. 3 lbs./doz)  
**Stock No. Z0 (specify color; no maximum quantity).....**  
**\$1.60 ea. ....12-99 @ \$1.20 ea. ....100+ @ \$0.81 ea.**

## Galvanized Metal Door Frames

Galvanized metal strips that frame the door and the edges of the door opening. Just slip them over the wire edge, and crimp them tightly in place with a J-clip pliers. These metal frames provide more strength & rigidity than plastic door liners. Lengths not listed below are available as special-order items when ordered in sufficient quantity.




Z009




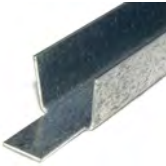

| Length | Stock No. | Price Each |        | Wt. / 100 (lbs) |
|--------|-----------|------------|--------|-----------------|
|        |           | 1-99       | 100+   |                 |
| 7 ¾"   | Z007      | \$0.44     | \$0.38 | 8               |
| 8 ¾"   | Z408      | \$0.46     | \$0.39 | 8               |
| 9 ¾"   | Z009      | \$0.46     | \$0.39 | 10              |
| 10 ¾"  | Z010      | \$0.48     | \$0.41 | 11              |
| 11 ¾"  | Z011      | \$0.48     | \$0.41 | 13              |
| 12 ¾"  | Z012      | \$0.51     | \$0.44 | 13              |
| 13 ¾"  | Z013      | \$0.55     | \$0.47 | 14              |
| 14 ¾"  | Z014      | \$0.58     | \$0.50 | 15              |
| 15 ¾"  | Z015      | \$0.65     | \$0.55 | 16              |
| 16 ¾"  | Z016      | \$0.68     | \$0.60 | 16              |
| 17 ¾"  | Z017      | \$0.69     | \$0.61 | 17              |
| 18 ¾"  | Z018      | \$0.76     | \$0.67 | 18              |
| 19 ¾"  | Z119      | \$0.79     | \$0.70 | 19              |
| 20 ¾"  | Z120      | \$0.83     | \$0.73 | 21              |
| 21 ¾"  | Z121      | \$0.86     | \$0.76 | 23              |
| 22 ¾"  | Z122      | \$0.89     | \$0.79 | 24              |
| 23 ¾"  | Z019      | \$0.92     | \$0.81 | 25              |

## Stacking Hutch Parts and Accessories

Note: to design a cage frame set for stacking cages, order 4 legs and 2 tray slides per cage.

| Item  | Size                                   | Stock No. | Price Each |         | Wt. / doz (lbs) |               |
|---|--|-----------|------------|---------|-----------------|---------------|
|   |  |           | 1-39       | 40+     |                 |               |
|  | For 14" high cage                      | Z046      | \$3.13     | \$2.90  | 13              |               |
|   | For 16" high cage                      | Z081      | \$3.36     | \$3.11  | 14              |               |
|   | For 18" high cage                      | Z045      | \$3.58     | \$3.31  | 17              |               |
|   | For 24" high cage                      | Z082      | \$4.21     | \$3.89  | 20              |               |
|   | Leg Extensions (sets of 4 with bolts)  | 7"        | Z060       | \$8.70  | \$7.85          | (2 lbs / set) |
|   |  | 15"       | Z061       | \$12.80 | \$11.60         | (3 lbs / set) |
|   | Tray Slides<br>Extra-wide Support Base | 18"       | Z047       | \$1.75  | \$1.62          | 6             |
|   |  | 24"       | Z048       | \$2.45  | \$2.29          | 7             |
|   |  | 30"       | Z049       | \$2.85  | \$2.67          | 9             |

### See Page 16 For Plastic Urine Guards

| Urine Guards  |                       | 4 oz. bag rings <td>R333</td> <td>\$1.50</td> <td>\$1.50</td> <td>1</td> | R333    | \$1.50  | \$1.50    | 1   |
|---|-----------------------|--|---------|---------|-----------|-----|
| <p>Constructed of Galvanized Steel, these urine guards are 4" high with stamped holes for secure attachment with 1/2" cage rings (see top row of this section). Side guards have ends bent at 1/3" with a 90° bend, to seal corners.</p>  | 12" back guard        | Z553   | \$1.40  | \$1.21  | 3.75      |     |
|   | 18" back guard        | Z555   | \$1.95  | \$1.75  | 5.75      |     |
|   | 24" side guard        | Z556   | \$2.50  | \$2.09  | 8         |     |
|   | 24" back guard        | Z557   | \$2.40  | \$2.01  | 7         |     |
|   | 30" back guard        | Z558   | \$2.60  | \$2.31  | 9         |     |
|   | 30" side guard        | Z559   | \$2.70  | \$2.39  | 9         |     |
|   | 36" back guard        | Z568   | \$3.50  | \$3.13  | 11        |     |
|   | U-beam floor supports | 24"  | Z065    | \$1.70  | \$1.44    | 4.5 |
|    | 30"                   | Z066   | \$1.90  | \$1.60  | 6         |     |
|   | 36"                   | Z083   | \$2.40  | \$2.04  | 7         |     |
| Castor kits: set of 4 ball-bearing, locking wheels for stacking units.  | --                    | Z067   | \$39.80 | \$38.60 | 8 # / set |     |
|    |                       |  |         |         |           |     |

## TRAYS AND PANS

### Dura-tray Plastic Trays

All-weather, high-density polyethylene. Impact and chemical resistant. Non-toxic. FDA approved. All are 2 1/2" deep. Designed to work in all cages with standard slide-out trays.



P011

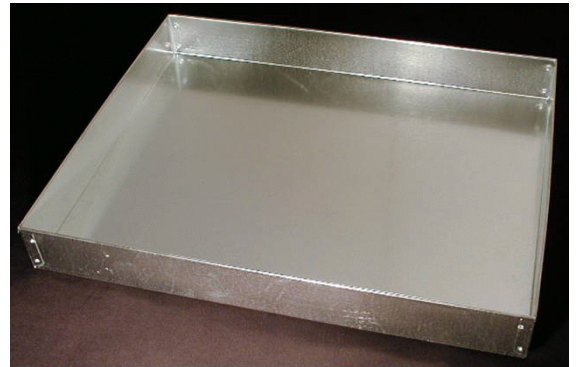
| Size      | Stock No. | Price Ea. |         |         | Wt. (lbs / doz. case) |
|-----------|-----------|-----------|---------|---------|-----------------------|
|           |           | 1-11      | 12-23   | 24+     |                       |
| 18" X 24" | P011      | \$18.10   | \$16.10 | \$15.30 | 27                    |
| 18" X 30" | P018      | \$19.90   | \$17.80 | \$16.90 | 35                    |
| 24" X 24" | P012      | \$20.20   | \$17.90 | \$17.10 | 34                    |
| 24" X 30" | P013      | \$21.10   | \$18.80 | \$17.80 | 41                    |
| 24" X 36" | P014      | \$27.30   | \$24.30 | \$23.10 | 51                    |
| 30" X 30" | P030      | \$28.20   | \$25.10 | \$23.80 | 51 (O.S.)             |
| 30" X 36" | P015      | \$30.90   | \$27.60 | \$26.20 | 66 (O.S.)             |

O.S. = Oversized. UPS dimensional weight regulations apply. Additional shipping charges may occur.

## 26-Gauge Galvanized Trays

These pans are made superior to others that we have seen. They have a finished edge on top. Order your pans the exact size you want when finished. The price list below is for most of the standard sizes. The "Shipped" price allows for costs of packaging only, not UPS or like charges which are additional.

| Dimensions (in.) |      |     | Stock No. | Price Each |         |         |         |         | Ship. Wt. (lbs) |
|------------------|------|-----|-----------|------------|---------|---------|---------|---------|-----------------|
| D                | L    | H   |           | Picked Up  |         | Shipped |         |         |                 |
|                  |      |     |           | 1-9        | 10 +    | 1-9     | 10-99   | *100+   |                 |
| 18 ¼             | 23 ¾ | 1 ½ | P101      | \$9.90     | \$9.10  | \$10.80 | \$9.93  | \$8.76  | 5               |
|                  |      | 2 ½ | P217      | \$10.40    | \$9.50  | \$11.30 | \$10.32 | \$9.17  | 5               |
| 24 ¼             | 23 ¾ | 1 ½ | P103      | \$11.90    | \$10.90 | \$12.90 | \$11.82 | \$10.48 | 6               |
|                  |      | 2 ½ | P219      | \$12.40    | \$11.40 | \$13.50 | \$12.41 | \$10.94 | 6               |
|                  | 29 ¾ | 1 ½ | P104      | \$13.90    | \$12.80 | \$15.70 | \$14.46 | \$12.28 | 8               |
|                  |      | 2 ½ | P220      | \$14.40    | \$13.20 | \$16.90 | \$15.49 | \$12.74 | 8               |
|                  | 35 ¾ | 1 ½ | P105      | \$15.70    | \$14.40 | \$17.80 | \$16.33 | \$13.85 | 10              |
|                  |      | 2 ½ | P221      | \$16.30    | \$14.90 | \$19.20 | \$17.55 | \$14.40 | 10              |
| 30 ¼             | 29 ¾ | 1 ½ | P107      | \$16.10    | \$14.80 | \$18.28 | \$16.80 | \$14.26 | 10**            |
|                  |      | 2 ½ | P223      | \$16.70    | \$15.40 | \$19.70 | \$18.17 | \$14.78 | 10**            |
|                  | 35 ¾ | 1 ½ | P108      | \$18.50    | \$16.95 | \$20.90 | \$19.15 | \$16.34 | 12**            |
|                  |      | 2 ½ | P224      | \$19.10    | \$17.60 | \$22.50 | \$20.73 | \$16.89 | 12**            |
| 8 ½              | 16 ½ | 1 ½ | P109      | \$5.90     | \$5.40  | \$6.37  | \$5.83  | \$5.19  | 3               |
|                  |      | 2 ½ | P225      | \$6.70     | \$6.20  | \$7.37  | \$6.82  | \$5.92  | 3               |
| 12 ½             | 18 ½ | 2 ½ | P226      | \$8.10     | \$7.50  | \$8.90  | \$8.24  | \$7.18  | 4               |
| 12 ½             | 24 ½ | 1 ½ | P111      | \$8.30     | \$7.60  | \$9.10  | \$8.33  | \$7.31  | 4               |
|                  |      | 2 ½ | P227      | \$8.90     | \$8.20  | \$10.10 | \$9.31  | \$7.90  | 4               |
| 16 ½             | 20 ½ | 1 ½ | P112      | \$8.60     | \$7.90  | \$9.36  | \$8.60  | \$7.62  | 4               |
|                  |      | 2 ½ | P228      | \$9.70     | \$8.90  | \$10.60 | \$9.73  | \$8.55  | 4               |
|                  | 24 ½ | 1 ½ | P117      | \$9.60     | \$8.80  | \$10.46 | \$9.59  | \$8.49  | 5               |
|                  |      | 2 ½ | P233      | \$10.70    | \$9.90  | \$11.80 | \$10.92 | \$9.49  | 5               |
|                  | 28 ½ | 1 ½ | P113      | \$10.50    | \$9.70  | \$11.40 | \$10.53 | \$9.30  | 6               |
|                  |      | 2 ½ | P229      | \$11.80    | \$10.80 | \$12.90 | \$11.81 | \$10.41 | 6               |
| 18 ½             | 24 ½ | 1 ½ | P114      | \$10.30    | \$9.50  | \$11.20 | \$10.33 | \$9.08  | 5               |
|                  |      | 2 ½ | P230      | \$11.50    | \$10.60 | \$12.40 | \$11.43 | \$10.14 | 5               |
|                  | 36 ½ | 2 ½ | P231      | \$14.80    | \$13.60 | \$17.30 | \$15.90 | \$13.09 | 8               |
| 24 ½             | 24 ½ | 1 ½ | P116      | \$12.10    | \$11.20 | \$13.30 | \$12.31 | \$10.72 | 6               |
|                  |      | 2 ½ | P232      | \$13.50    | \$12.40 | \$15.70 | \$14.42 | \$11.92 | 6               |



P228

**Can't Find Your Size?**  
 Custom-sized pans not listed are available, with a \$9.00 service charge for each order.

Stainless steel pans are available as a special order.

**Tray Slides**  
**For metal trays only**  
 With 1" wide support base. Do not use with plastic Dura-Trays. See Page 18 for tray slides for plastic trays.

| Size | Stock No. | Price Each | Wt. / doz |
|------|-----------|------------|-----------|
| 18"  | Z918      | \$0.80     | 6 lbs.    |
| 24"  | Z924      | \$1.39     | 8 lbs.    |
| 30"  | Z930      | \$1.59     | 10 lbs.   |

\*Price break given as well for any assortment of 100 or more, 26-gauge trays  
 \*\*UPS Dimensional weight regulations apply. Additional shipping charges may occur.

### Plastic Dura-Trays New Carrier Style Design!

Cage sits inside the tray on raised corners, which are molded into the tray design. Cage size: 18" X 24". Tray size: 20" X 26" X 4 ½". Ship. Wt. 31 lbs / doz.

Stock No. P016.....\$24.90 ea .....12-23 @ \$22.20 ea.  
 .....24 or more @ \$20.90 ea.

